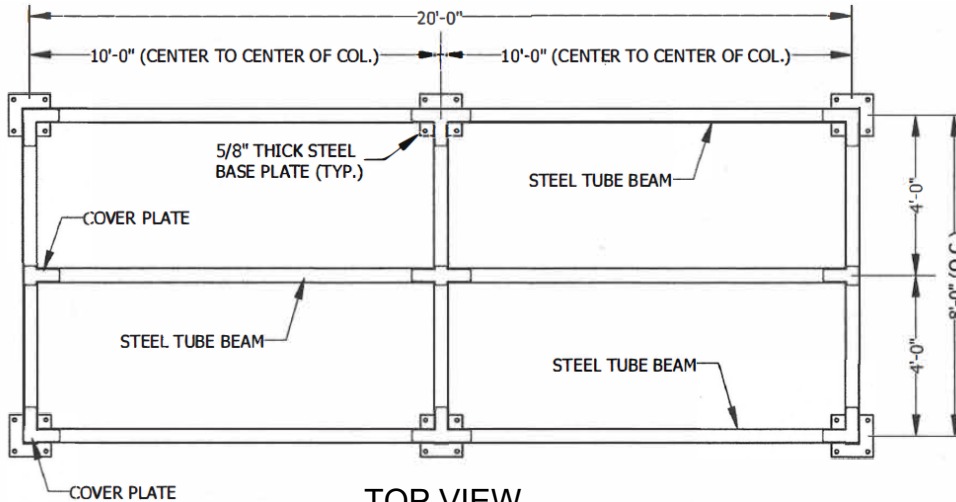
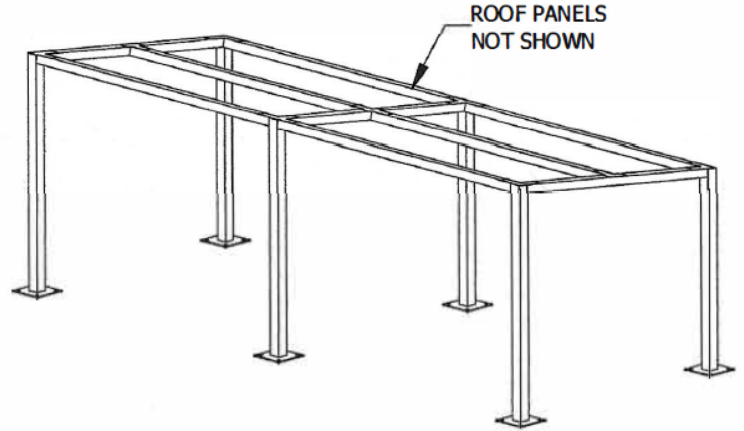
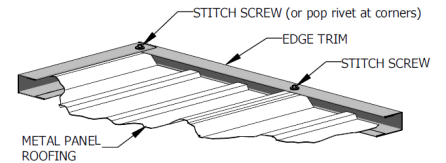


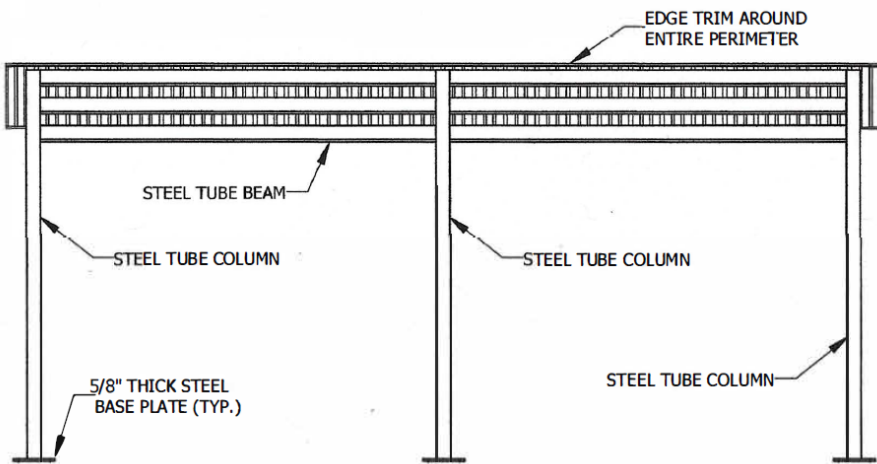
**EDGE TRIM DETAIL**



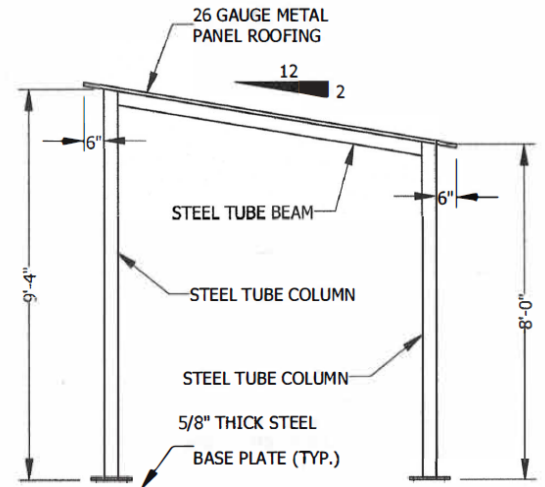
**TOP VIEW**  
ROOF NOT SHOWN



**METAL ROOF DETAIL**



**FRONT VIEW**



**SIDE VIEW**

PROJECT NAME \_\_\_\_\_

ARCHITECT \_\_\_\_\_

PROJECT NUMBER \_\_\_\_\_

CONTRACTOR \_\_\_\_\_

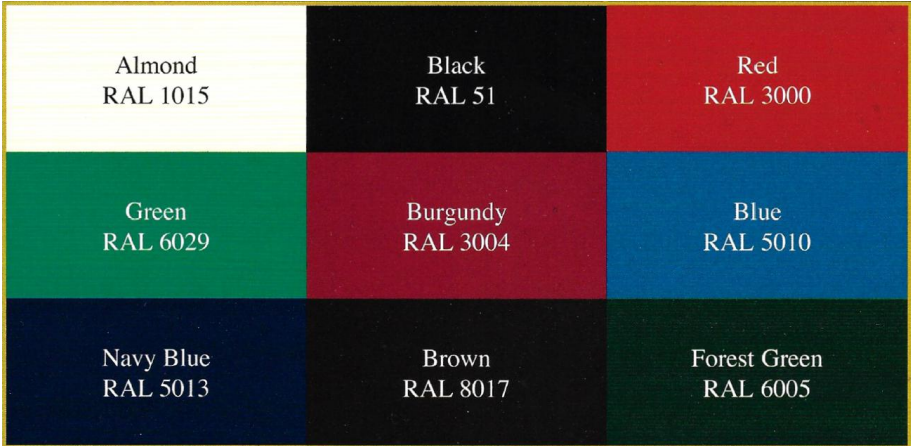
WWW.JAYPRO.COM © COPYRIGHT 2024 JAYPRO SPORTS, LLC. ALL RIGHTS RESERVED THIS PRINT IS THE PROPERTY OF JAYPRO SPORTS, LLC. AND MAY NOT BE REPRODUCED WITHOUT WRITTEN PERMISSION

Part Number: DUG820  
Description: STEEL TUBE DUGOUT (8' x 20')

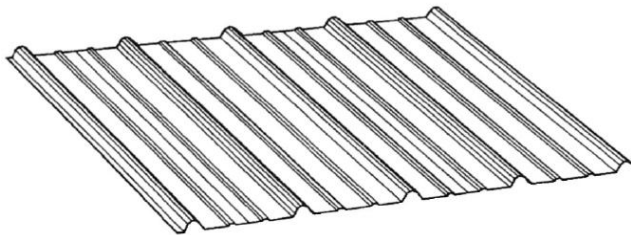
Rev: - Date: 2/20/2024

SHEET 1 OF 3

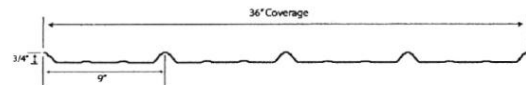
DUGOUT POWDER COATED STEEL FRAMES AVAILABLE IN THE FOLLOWING COLORS  
 SPECIFY FROM SELECTION ACTUAL COLORS MAY VARY

ALMOND RAL 1015 <input type="checkbox"/>	BLACK RAL 51 <input type="checkbox"/>	RED RAL 3000 <input type="checkbox"/>	
GREEN RAL 6029 <input type="checkbox"/>	BURGUNDY RAL 3004 <input type="checkbox"/>	BLUE RAL 5010 <input type="checkbox"/>	
NAVY BLUE RAL 5013 <input type="checkbox"/>	BROWN RAL 8017 <input type="checkbox"/>	FOREST GREEN RAL 6005 <input type="checkbox"/>	

DUGOUT 26 GAUGE METAL ROOFING AVAILABLE IN THE FOLLOWING COLORS (40 YEAR WARRANTY ON METAL ROOF COLOR FINISH) SPECIFY FROM SELECTION ACTUAL COLORS MAY VARY



Profile Detail



Sidlap Detail



LIGHT STONE <input type="checkbox"/>	MOCHA TAN <input type="checkbox"/>	OLD TOWN GRAY <input type="checkbox"/>	
PURE WHITE <input type="checkbox"/>	COCOA BROWN <input type="checkbox"/>	FOREST GREEN <input type="checkbox"/>	
HAWAIIAN BLUE <input type="checkbox"/>	BARN RED <input type="checkbox"/>	GALVALUME <input type="checkbox"/>	

**STEEL TUBE DUGOUT** shall feature a durable all steel construction, including a steel dugout frame and steel roofing panels. Dugout shall be guaranteed against defects in workmanship or materials for a period of one year from date of invoice by the manufacturer. Installation of dugout requires a concrete foundation. Assembly required upon receipt.

**STEEL DUGOUT FRAME** shall be constructed of 4" hollow square steel beams and columns. Steel columns shall be fabricated of square structural steel tubing and electrically welded to a 10" square steel base plate measuring 5/8" in thickness. Steel frame members shall be blasted to near white metal and cleaned with an 8-stage pretreatment system in preparation for a coating of zinc rich primer. Steel frames shall be finished with a TGIC electrostatically applied polyester powder coating. Fasteners shall be 1" diameter grade 5 bolts with flat washers and locknuts. Bolts shall meet ASME B18.2.1 with a minimum tensile strength of 120,000 psi. All fasteners shall be concealed inside the hollow steel metal frames on completion of assembly. Anchors shall be 1/2" diameter x 8 1/2" zinc plated concrete wedge anchors. Steel frames are available in nine color options.

**STEEL ROOF PANELS** shall be constructed from 26 gauge steel. Panel shall be a sidelap seam or exposed fastener style with a profile measuring 3/4" height rib and 36" coverage width. Substrate shall be grade 80 galvanized steel sheet, conforming to ASTM A446 for painted panels. Panels shall be finished with a high performance silicon-modified polyester. Panels are available in nine color options.

<b>WWW.JAYPRO.COM</b> 976 Hartford Turnpike Waterford, CT 06385 (800) 243 - 0533	© COPYRIGHT 2024 JAYPRO SPORTS, LLC. ALL RIGHTS RESERVED THIS PRINT IS THE PROPERTY OF JAYPRO SPORTS, LLC. AND MAY NOT BE REPRODUCED WITHOUT WRITTEN PERMISSION	Part Number: DUG820	
		Description: STEEL TUBE DUGOUT (8' x 20')	
Rev: A	Date: 2/20/2024	SHEET 3 OF 3	